



CAST IRON

SERVICE SINK
12-910 / 12-918

LAVATORIES

TOILETS

BIDETS / URINALS

CAST IRON

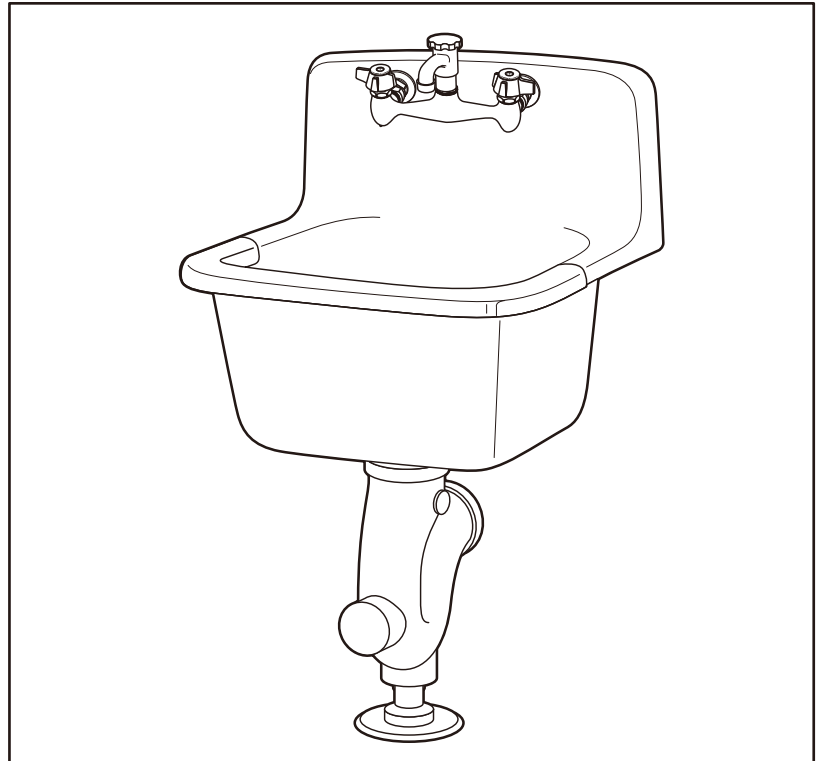
CAST IRON Service Sink

Features:

- Durable Cast Iron
- Wall Hung Service Sink
- Stainless Steel Rim Guard
- No Drilling on Back Splash (12-910)
- 8" Drilling on Back Splash (12-918)
- Compatible with 2" or 3" Cast Iron Drain (to be purchased separately)
- Includes Wall Hangar and Mounting Hardware

Dimensions:

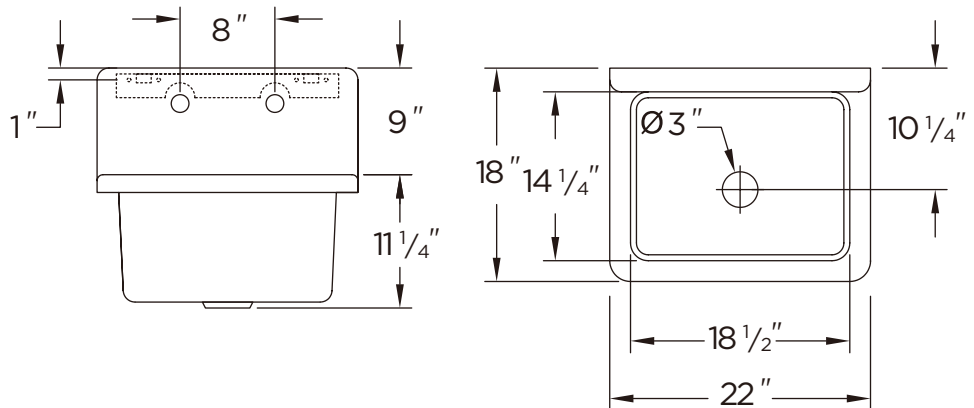
Height 20 1/4"
 Width 22"
 Depth 18"
 Back Splash Height 9"



Accessory:

- 99-182** Replacement Wall Hanger (see dimensions on back side)
- 99-183** Replacement Stainless Steel Rim Guard 22"

Specifications: Cast Iron Service Sink
 Catalog # 12-918 Shown With C4-44-640 Faucet,
 12-902 Trap Standard and 99-183 Steel Rim Guard



Job Name	
Date	
Model Specified	
Quantity	
Customer	
Contractor	
Architect/engineer	

www.gerberonline.com

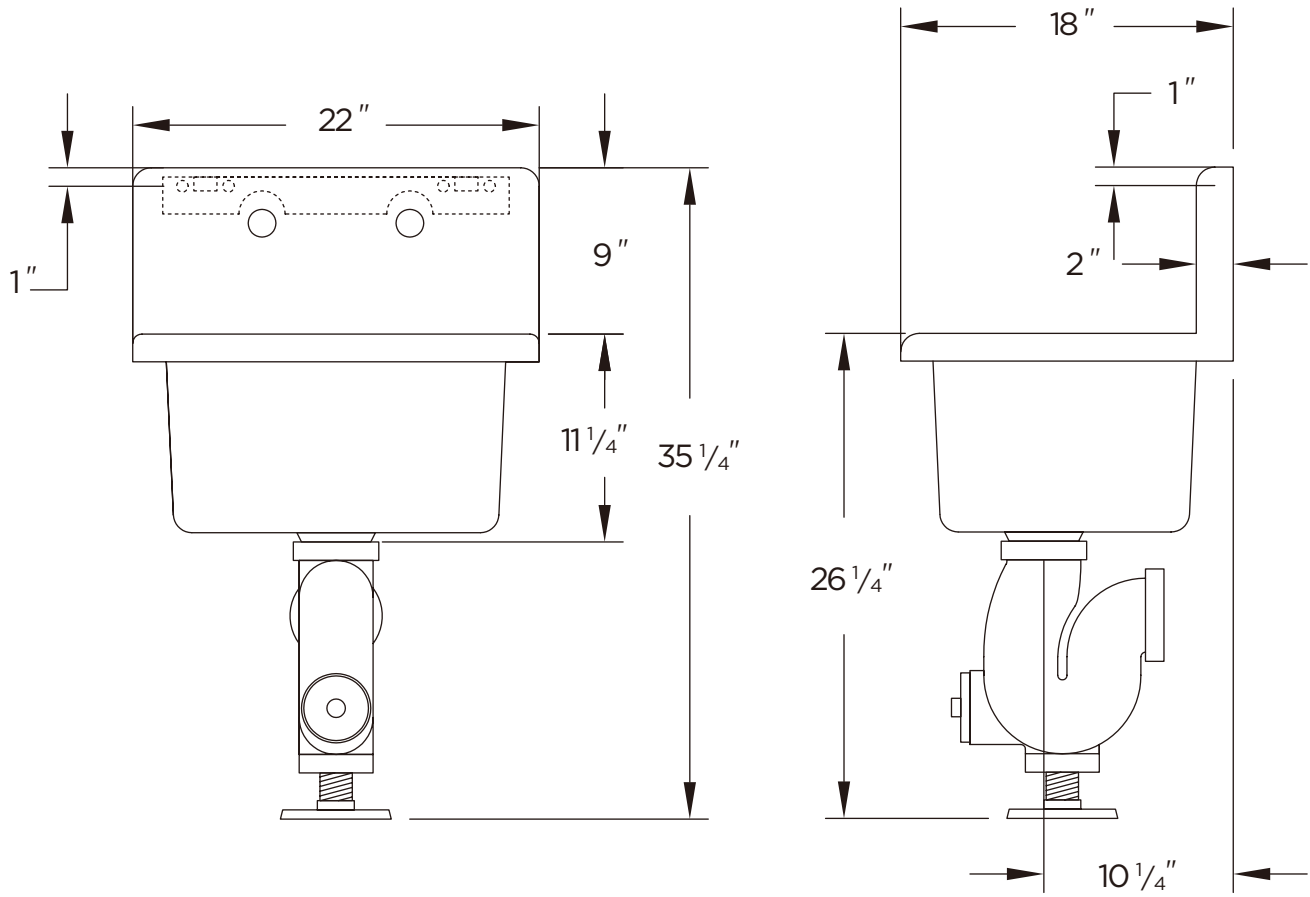
3"



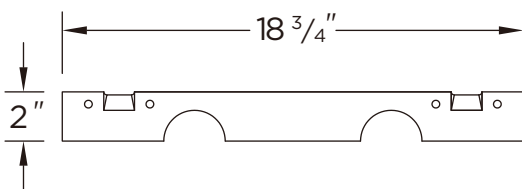


CAST IRON

12-910 / 12-918
Service Sink



Wall Hanger (99-182):



NOTES:

All dimensions are in inches.

Illustrations may not be drawn to scale.

IMPORTANT:

Dimensions of fixtures are nominal and may vary within the range of tolerances established by ASME Standard A 112.19.2.